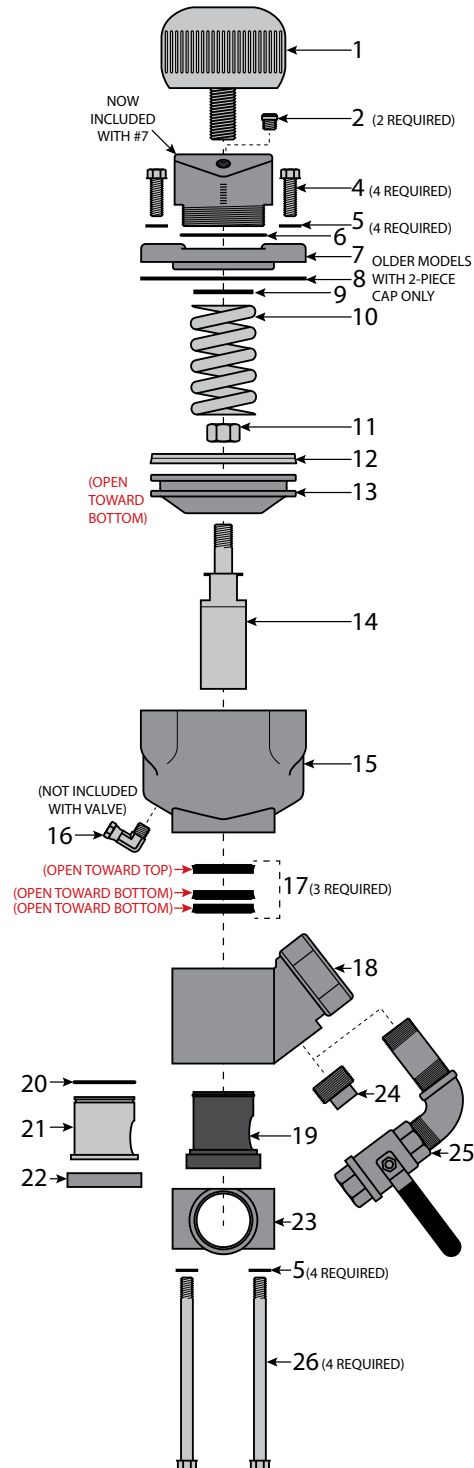


THOMPSON VALVE® II

#	DESCRIPTION	PART #
	THOMPSON VALVE® II, COMPLETE VALVE, 1" W/ TC SLEEVE (Original Equipment Mfg)	2152-006 OEM
	THOMPSON VALVE® II, COMPLETE VALVE, 1-1/4" W/ TC SLEEVE (Original Equipment Mfg)	2152-007 OEM
	THOMPSON VALVE® II, COMPLETE VALVE, 1-1/2" W/ TC SLEEVE (Original Equipment Mfg)	2152-008 OEM
	THOMPSON VALVE® II, COMPLETE VALVE, 1" W/ URETHANE SLEEVE (Original Equipment Mfg)	2152-106 OEM
	THOMPSON VALVE® II, COMPLETE VALVE, 1-1/4" W/ URETHANE SLEEVE (Original Equipment Mfg)	2152-107 OEM
	THOMPSON VALVE® II, COMPLETE VALVE, 1-1/2" W/ URETHANE SLEEVE (Original Equipment Mfg)	2152-108 OEM
	T2V, REPAIR KIT W/ TC SLEEVE, INCLUDES #6, 8, 12, 14, (3)17, 20, 21 & 22 (PIRATE BRAND)	888-2152-00099PB
	T2V, SEALS ONLY W/ URETHANE SEAT, INCLUDES #6, 8, 12, (3)17, 20 & 22 (PIRATE BRAND)	888-2152-00098PB
	T2V, REPAIR KIT W/ URETHANE SLEEVE, INCLUDES #6, 8, 12, 14, (3)17, & 19 (PIRATE BRAND)	888-2152-10099PB
	T2V, SEALS ONLY W/ URETHANE SLEEVE, INCLUDES #6, 8, 12, (3)17, & 19 (PIRATE BRAND)	888-2152-10098PB
1	THOMPSON VALVE® II, KNOB (Original Equipment Mfg)	2152-000-01 OEM
2	VENT, 1/8"	888-2014-300PB
4	HEX BOLT, 3/8" UNC x 1-1/4"	888-7010-50707PB
5	FLAT WASHER 3/8" SAE (10 PACK)	888-7027-50302PB
6	THOMPSON VALVE® II, SPRING RETAINER O-RING, PACK of 10 (Original Equipment Mfg)	2152-000-18 OEM
7	THOMPSON VALVE® II, CAP PLATE W/ SPING RETAINER (Original Equipment Mfg) [REPLACES 2152-000-12 OEM]	2152-000-02 OEM
8	THOMPSON VALVE® II, CAP GASKET, PACK of 10 (Original Equipment Mfg)	2152-000-16 OEM
9	THOMPSON VALVE® II, VIBRATION DISC, PACK of 10 (Original Equipment Mfg)	2152-000-25 OEM



#	DESCRIPTION	PART #
10	T2V, SPRING (PIRATE BRAND)	888-2152-00003PB
11	APV & TV2, NUT	888-2149-00008PB
12	APV, APV II, & T2V PISTON SEAL (GREEN URETHANE)	888-2148-00004PB
13	THOMPSON VALVE® II, PISTON (Original Equipment Mfg)	2152-000-05 OEM
14	T2V, PLUNGER, TUNGSTEN CARBIDE (PIRATE BRAND)	888-2152-00007PB
15	THOMPSON VALVE® II, CYLINDER (Original Equipment Mfg)	2152-000-09 OEM
16	SWIVEL 90*, 1/8"MNPT X 1/8"F	888-4203-50000PB
17	T2V, PLUNGER SEAL W/O-RING (PIRATE BRAND)	888-2152-00006PB
18	THOMPSON VALVE® II, BODY (Original Equipment Mfg)	2152-000-14 OEM
19	T2V, SLEEVE, URETHANE (PIRATE BRAND)	888-2152-10013PB
20	T2V, O-RING FOR TC SLEEVE (PIRATE BRAND)	888-2152-00021PB
21	T2V, SLEEVE, TUNGSTEN CARBIDE (PIRATE BRAND)	888-2152-00013PB
22	T2V, SEAT, URETHANE (PIRATE BRAND)	888-2152-00010PB
23.1	THOMPSON® VALVE II, BASE, 1" NPT (1" FEMALE x 1-1/2" MALE (Original Equipment Mfg)	2152-000-19 OEM
23.2	T2V, BASE, 1-1/4" NPT (1-1/4" MALE x 1-1/4" MALE) (PIRATE BRAND)	888-2152-00015PB
23.3	T2V, BASE, 1-1/2" NPT (1-1/2" MALE x 1-1/2" MALE) (PIRATE BRAND)	888-2152-00011PB
24	PIPE PLUG, GALV, 1"	888-3014-106PB
25	APV II & T2V CLEANOUT BALL VALVE ASSY	999-8403-00054PB
26	HEX BOLT, 3/8" UNC x 4-3/4"	888-7010-50795PB